



SMC

TFD Series of Wideband HF Dipoles Up to 1KW 2.5-30MHz

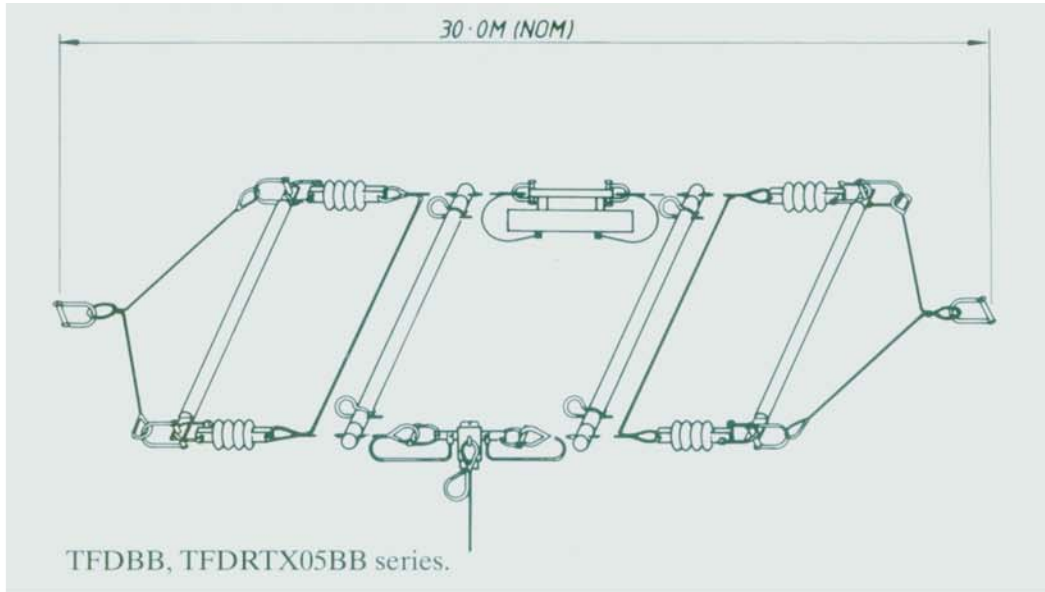
The TFD series of simple wideband folded dipoles has been developed for a wide range of applications and situations. Based around the TFDBB 200 watt antenna the series includes higher power, economy and banded versions. The economy and banded versions are for where space is at a premium and frequencies below x^* MHz are not required.

Designed for use with modern VSWR sensitive transceivers, the TFD series features excellent VSWR across the operational frequency range and rapidly increasing efficiency from 5MHz upwards.

** x = For details of banded series see table on page 4.*

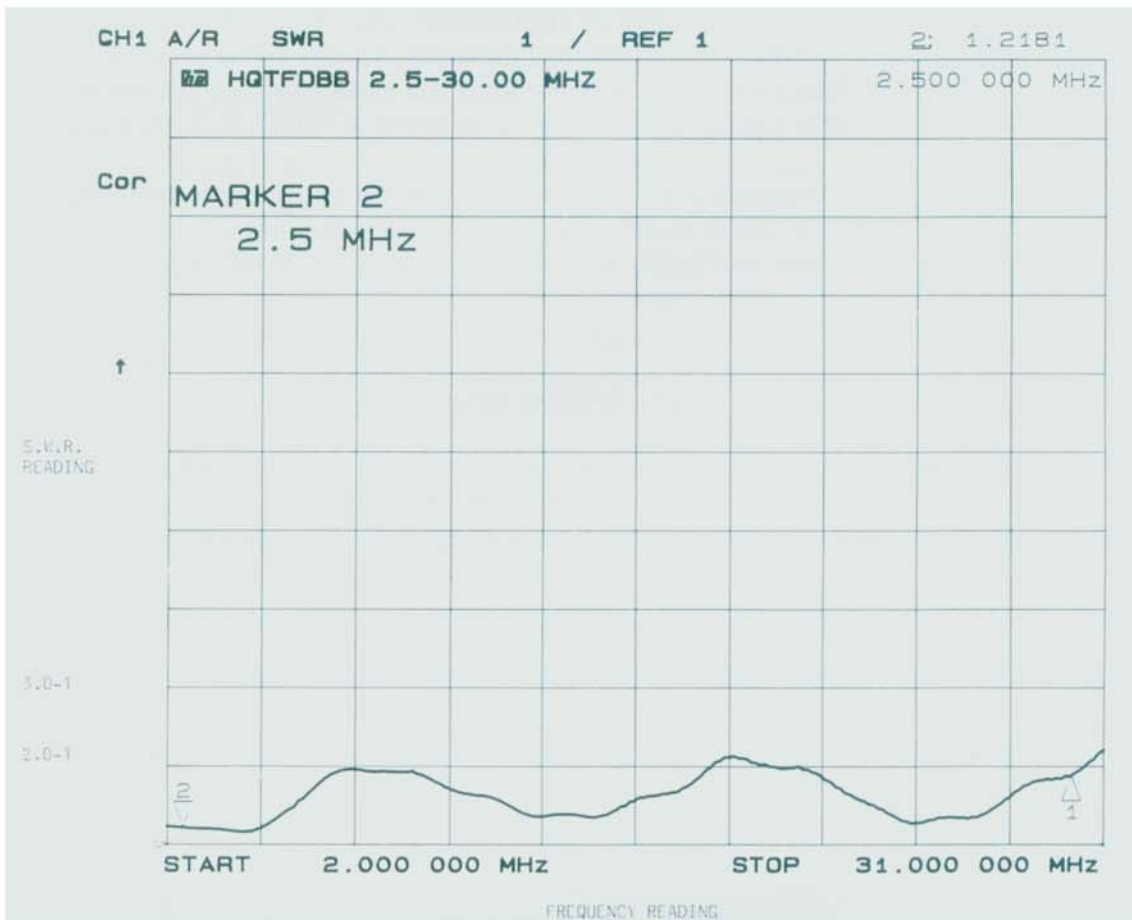


General Specification TFDBB



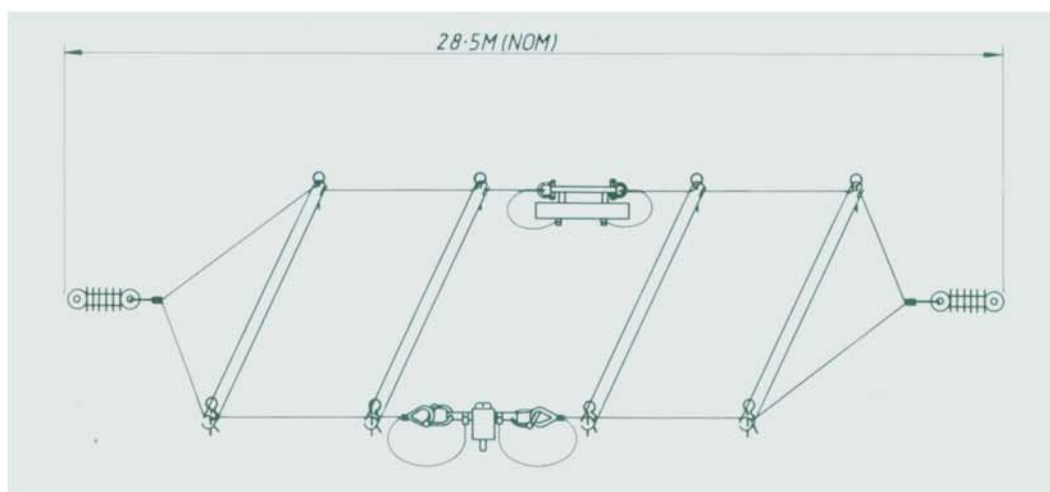
TFDBB, TFD/RTX/05BB series

The TFDBB features heavy duty construction, good quality materials excellent fully potted transformer, with low loss and rugged construction, simple to install, no tuning necessary.



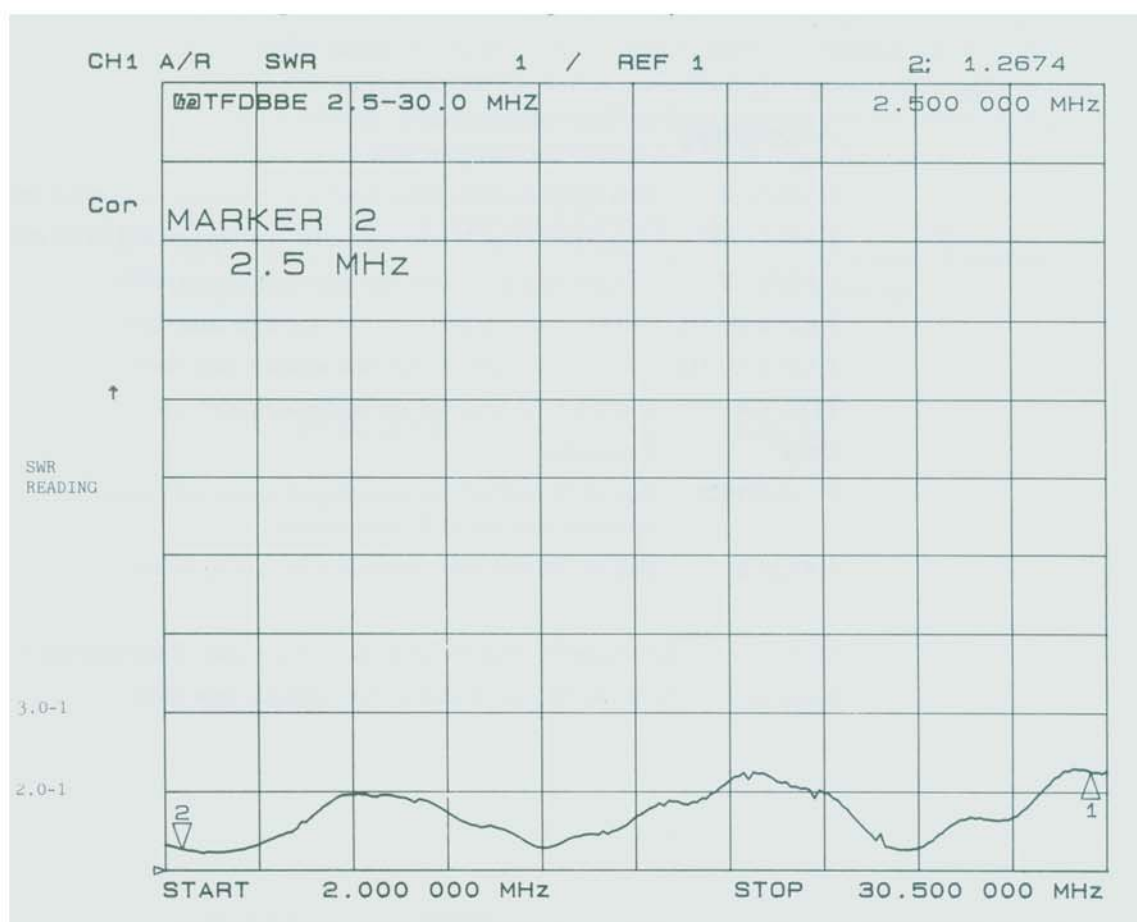
Typical VSWR curve TFDBB.

General Specification TFDBBE



TFDBBE, TFD / RTX / 05BBE 'Economy' versions

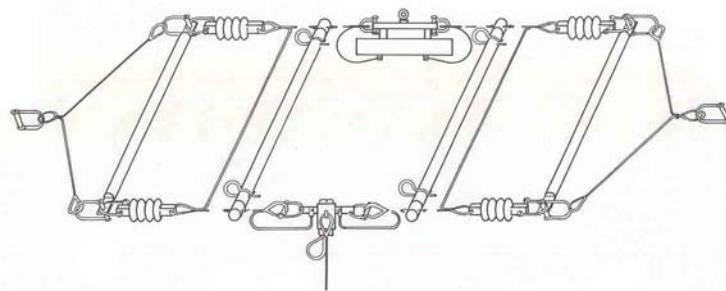
The Economy or 'E' version of the TFD series features lightweight construction, no coaxial cable (should customers wish to supply their own) simple to install, no tuning necessary.



Typical VSWR curve TFDBBE.

Type Designation

MODEL NUMBER	FREQUENCY RANGE MHz	POWER RATING (PEP)	OVERALL LENGTH	CABLE ASSEMBLY INCLUDED	NETT WEIGHT KG (Approx)
TFDBB	2.5 - 30	200w	30.0m	Y	12
TFDBB /400	2.5 - 30	400w	30.0m	Y	15
TFDBB / 1K	2.5 - 30	1kw	30.0m	Y	24
TFDBB/LC	2.5 - 30	200w	30.0m	N	6
TFDBBE	2.5 - 30	200w	28.5m	N	5
TFD / RTX-05BB					
/A	5.5 - 30	200w	18.5m	Y	12
/B	7.5 - 30	200w	13.5m	Y	12
/C	Oct-30	200w	10.0m	Y	12
TFD / RTX-05BBE					
/A	5.5 - 30	200w	18.5m	N	6
/B	7.5 - 30	200w	13.5m	N	6
/C	Oct-30	200w	10.0m	N	6



Accessories

CAB67/30	30m UR67 coaxial cable fitted UHF connectors and strain relief
CAB67/30C	30m UR67 fitted N type top/UHF bottom end and strain relief
CAB58/25	25m RG58 fitted UG88 connectors and strain relief
PA2/B48/ML	48ft (12.24m) support mast (see separate data sheet)
PA2/B30/ML	30ft (10.2m) support mast (see separate data sheet)
TFD/CA	Crossarm for inverted vee configuration all models
TFD/IK	Installation kit to install TFD in inverted V configuration
GS18	End stakes
PA2/DEP12L	Pair of 12' (3.65m) end support poles, normally supplied as optional extra with PA2 series masts
HAL25A	Pair of 25m halyards complete with hauling ropes

SMC reserves the right to change specifications without prior notice

South Midlands Communications Ltd

SM House, School Close, Chandlers Ford Industrial Estate, Eastleigh, Hampshire, SO53 4BY ENGLAND
Tel: +44 (0)23 8024 6200 Fax: +44 (0)23 8024 6206 Email: sales@smc-comms.com Web: www.smc-comms.com